



## All in One Solar Flood Light

Super High Efficiency 180LM/W



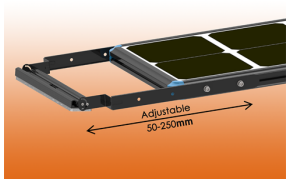
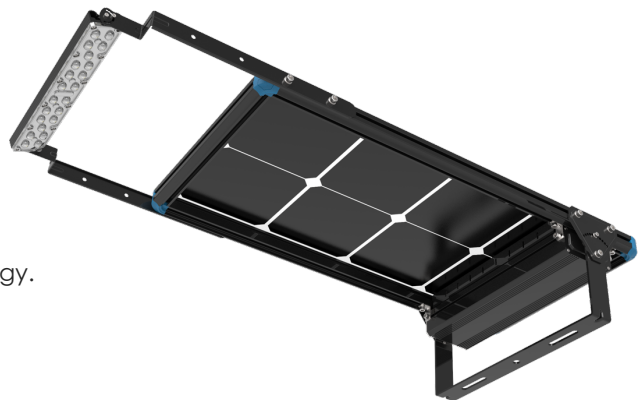


## Overview

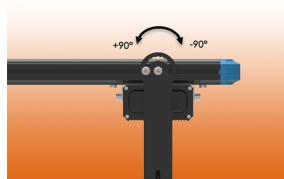
Solar led flood lights are an efficient solution to provide lighting without the need for connecting utility electricity. Every lights are an independent integrated solar lighting system, it works automatically with the light sensor, no need of electric wires for installation. The led lamp, solar panel, solar controller and storage battery all in one set, it integrates most advantages of the existing outdoor solar lights, in order to bring you a unique value in the whole commercial solar lighting market.

## Features

- Elegant design and structure.
- Extend extra solar panel/ Battery/ LED Module.
- Double sided solar panel available, can absorb more energy.
- Super high luminous efficiency up to 180LM/W.
- PIR/MW Motion sensor available for saving energy.
- Timing control available.
- Adjustable LED Module angle.
- IP65.



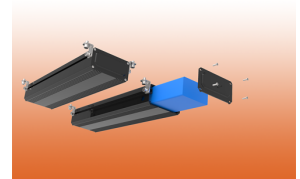
Adjustable Arm Length



Adjustable Mounting Support



Adjustable LED Module



Modular Battery



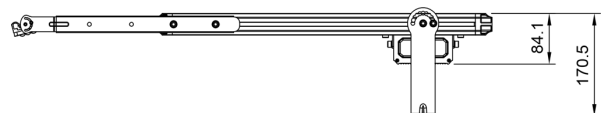
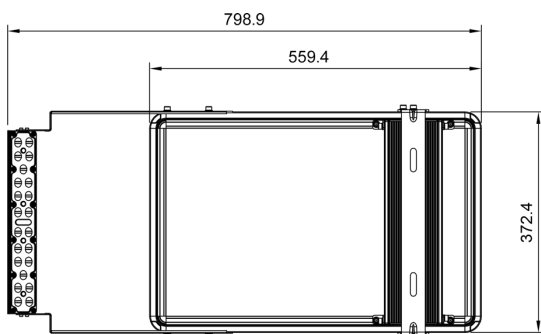
## Technical Datasheet



Model No.	OSSL-SFL30-10W
<b>Physical Parameter</b>	
PV Module Power	Mono 30Wp
Battery Capacity	11.1V 15Ah NMC Li-ion
Control Mode	Motion Sensor/Timing
Outline Dimension	789*372*84mm
N.W.(kg)	8.6kg
<b>Light Parameter</b>	
LED Module Power	10W
LED Chips	Lumileds 3030
Physical lifespan	100,000 hrs
Visual Angle	80*150° (Type III)
CCT	4000/5000/6000K
Luminous Efficiency	180Lm/W
Max. Luminous Flux	1800 Lm
Full Bright Mode Working Time	>18 hrs
Dim Mode Working Time (20%)	>41 hrs
<b>Environment Requirement</b>	
IP Rating	IP65
Wind Load Rate	110mph
Charge Temperature	0°C ~ 60°C
Discharge Temperature	-10°C ~ 60°C
Storage Temperature	-10°C ~ 60°C



## Product Dimension(mm)

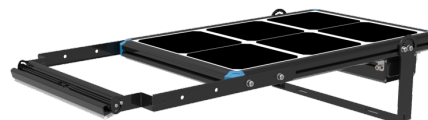




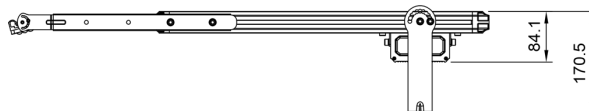
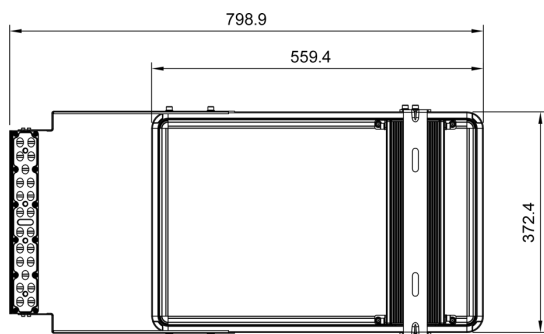
### Technical Datasheet



<b>Model No.</b>	<b>OSSL-SFL30-20W</b>
<b>Physical Parameter</b>	
PV Module Power	Mono 30Wp
Battery Capacity	11.1V 20Ah NMC Li-ion
Control Mode	Motion Sensor/Timing
Outline Dimension	789*372*84mm
N.W.(kg)	9.4kg
<b>Light Parameter</b>	
LED Module Power	20W
LED Chips	Lumileds 3030
Physical lifespan	100,000 hrs
Visual Angle	80*150° (Type III)
CCT	4000/5000/6000K
Luminous Efficiency	180Lm/W
Max. Luminous Flux	3600 Lm
Full Bright Mode Working Time	>18 hrs
Dim Mode Working Time (20%)	>41 hrs
<b>Environment Requirement</b>	
IP Rating	IP65
Wind Load Rate	110mph
Charge Temperature	0°C ~ 60°C
Discharge Temperature	-10°C ~ 60°C
Storage Temperature	-10°C ~ 60°C



### Product Dimension(mm)

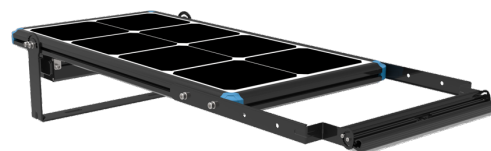




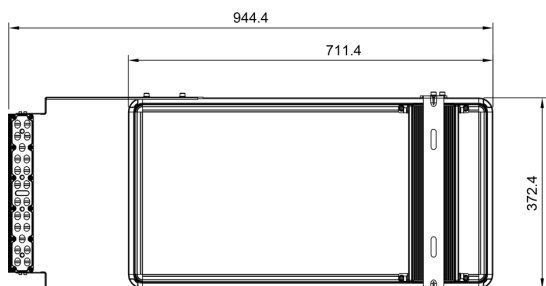
## Technical Datasheet



Model No.	OSSL-SFL40-20W
<b>Physical Parameter</b>	
PV Module Power	Mono 40Wp
Battery Capacity	11.1V 20Ah NMC Li-ion
Control Mode	Motion Sensor/Timing
Outline Dimension	933*372*84mm
N.W.(kg)	10.1kg
<b>Light Parameter</b>	
LED Module Power	20W
LED Chips	Lumileds 3030
Physical lifespan	100,000 hrs
Visual Angle	80*150° (Type III)
CCT	4000/5000/6000K
Luminous Efficiency	180Lm/W
Max. Luminous Flux	3600 Lm
Full Bright Mode Working Time	>18 hrs
Dim Mode Working Time (20%)	>41 hrs
<b>Environment Requirement</b>	
IP Rating	IP65
Wind Load Rate	110mph
Charge Temperature	0°C ~ 60°C
Discharge Temperature	-10°C ~ 60°C
Storage Temperature	-10°C ~ 60°C



## Product Dimension(mm)

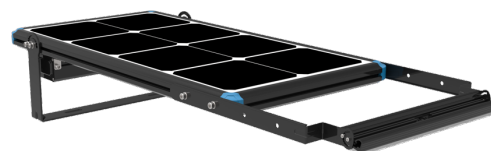




## Technical Datasheet



Model No.	OSSL-SFL40-30W
<b>Physical Parameter</b>	
PV Module Power	Mono 40Wp
Battery Capacity	11.1V 30Ah NMC Li-ion
Control Mode	Motion Sensor/Timing
Outline Dimension	933*372*84mm
N.W.(kg)	12.2kg
<b>Light Parameter</b>	
LED Module Power	30W
LED Chips	Lumileds 3030
Physical lifespan	100,000 hrs
Visual Angle	80*150° (Type III)
CCT	4000/5000/6000K
Luminous Efficiency	180Lm/W
Max. Luminous Flux	5400 Lm
Full Bright Mode Working Time	>18 hrs
Dim Mode Working Time (20%)	>41 hrs
<b>Environment Requirement</b>	
IP Rating	IP65
Wind Load Rate	110mph
Charge Temperature	0°C ~ 60°C
Discharge Temperature	-10°C ~ 60°C
Storage Temperature	-10°C ~ 60°C



## Product Dimension(mm)

